



# P-1

## Battery-driven LED Wash Light



### Description

The P-1 is a versatile RGBW wash with full wireless operation, designed to match the requirements of corporate productions, broadcast applications, wedding receptions, staging, and events. To further enhance its versatility, available unique magnetic holographic filters allow the P-1 to modify its beam angle depending on the application, while the onboard Lithium-Ion battery pack provides for extended run times without recharge, eliminating the need of cables or mains power. The P-1 is a smart, reliable, and powerful luminaire built in a compact, lightweight, and elegant assembly: an LED wash that sets a new standard for the most demanding users.

### Features and benefits

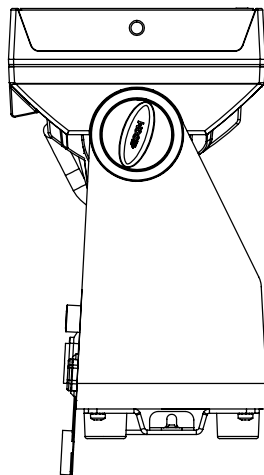
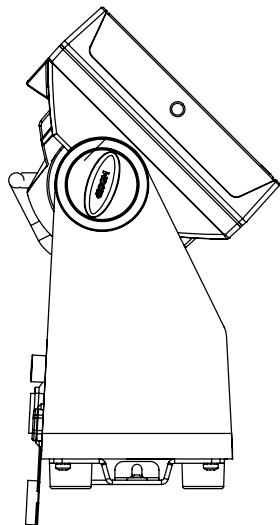
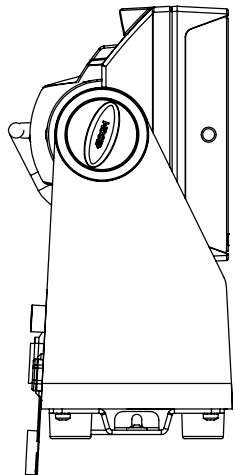
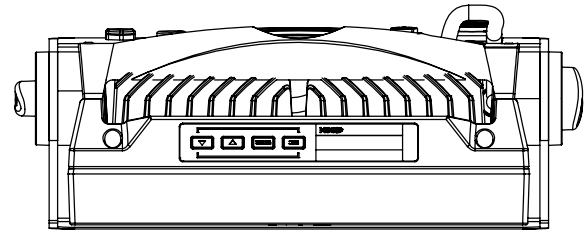
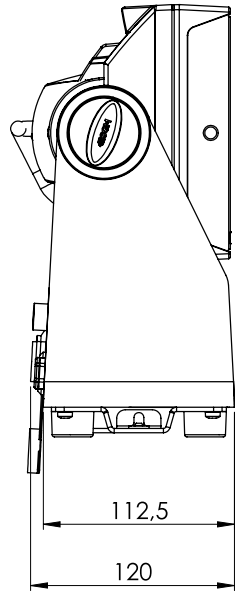
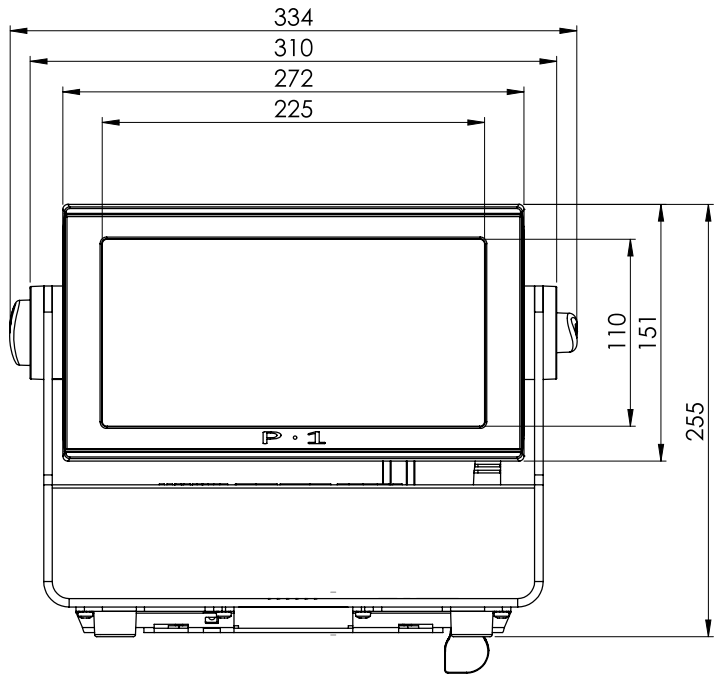
- ✓ Battery-driven IP65 RGBW LED light source
- ✓ Up to 24 hours battery operation
- ✓ 2000K - 10000K CTC control
- ✓ Practically maintenance-free and silent performance
- ✓ 10° (with 10° lens) native beam angle, adjustable via magnetic holographic filters
- ✓ DMX, RDM, and 100% wireless (power and control)
- ✓ Ultra-high-speed strobe effect
- ✓ Flicker-free / Programmable scenes

### Certifications & classifications

**IP65**  
INGRESS

**RoHS**  
COMPLIANT

**CE**



# Specification

<b>Optical Data</b>	LED expected lifetime (L70)	50,000 hours
	Lens options (built-in)	10°
	Lightsources	8 x high-power 12.5W RGBW LEDs
	Optional filters	Elliptical horizontal, I/P, external (10° x 60° angle) Elliptical vertical, I/P, external (60° x 10° angle) Wide, P-1/P-6/P-10, external (47° angle) Medium, P-1/P-6/P-10, external (18° angle)
<b>Photometric</b>	Average CRI (CTC)	80
	Color temperature range	2000K - 10000K
	Efficacy	33 lm/W*
	Light output - all LEDs on	3073 lm
	Light output - blue	316 lm
	Light output - green	1018 lm
	Light output - red	544 lm
	Lumen per kilogram	539 lm / Kg
	Lux @ 10m	514 lux
	Lux @ 3m	5709 lux
	Lux @ 5m	2055 lux
	Native beam angle(s)	10° (with 10° lens) 19° (with Med filter frame) 45°
	Native field angle(s)	22°
	<b>Physical</b>	Color options
Effective Projected Area		0.85 Square ft
IP class		IP65
Lens material		Tempered glass front
Material		Aluminium PC/ASA Plastic Rubber Steel
Net dimensions L x H x W (imperial)		13.2 x 10 x 4.7 inches
Net dimensions L x H x W (metric)		334 x 254.6 x 119 mm
Net weight		5.7 kg (12.6 lbs)
Net weight excluding batteries		5 kg
Net weight excluding batteries lbs		11

<b>Features</b>	Color calibration	SGM proprietary, full color calibration
	Dehumidifier	Base / Head
	Dimming	2 Smooth fade in, DMX-controllable curves: gamma corrected, and linear
	Emulation mode / effect	Built-in color presets, display selectable
	Filters	Magnetic easy-fit spread angle filter frames
	LED panel	2 individually controllable segments
	Strobe	Ultra-high-speed strobe effects Pixel strobe feature (up to 2 segments)
	Tilt	0 - 190°
<b>Electrical</b>	Electrical protection	Overload protection with automatic recover
	Input voltage (nominal)	100 - 240 VAC; 50 / 60 Hz
	Max inrush current 230VAC	60 A
	Max power consumption	90 W
	Power Supply Unit	High-efficiency electronic switch-mode
	Standby power consumption	3 W
<b>Programming and Control</b>	16-bit control	Dimmer, Red, Green, Blue, White
	Cabled DMX	5 pin XLR input/output
	DMX channels	3, 4, 6, 9, 11 or 16
	DMX modes	6
	Protocol	CRMX, W-DMX™ G2, W-DMX™ G3, W-DMX™ G4, W-DMX™ G4S USITT DMX512A Wireless RDM RDM ANSI E1.20
	Setting and addressing	OLED graphical display / 4 buttons RDM ANSI E1.20 Standalone mode
	Standalone mode	Quick Color 3 programs with up to 24 scenes
	Wireless DMX	Lumen Radio with RDM
<b>Connections</b>	DMX data in/out	IP65 XLR 5-pin connector, Female IP65 XLR 5-pin connector, Male
	Power	Power input connector
<b>Installation</b>	Mounting point	2 quarter-turn locking points for one Omega bracket
	Orientation	Any

	Rigging possibilities	Hanging (Omega Bracket included) or ceiling/wall mount (optional)
	Safety features	Bottom mount for safety wire Minimum distance to combustible materials: 0.3 meter (11 in).
<b>Thermal</b>	Cooling	Passive
	Humidity (max.)	98 %
	Temperature range, battery operating	-20°C to 50°C
	Temperature range, battery Start-up	-20°C to 50°C
	Temperature range, charging	10°C to 45°C
	Temperature range, operating	0°C to 45°C
	Temperature range, start-up	0°C to 45°C
	Temperature range, storage	-20°C to 25°C
	Thermal protection	Automatic overtemperature protection
	Total heat dissipation, max power	307.1 BTU per hour
	Total heat dissipation, standby	10.2 BTU per hour
<b>Included items</b>	Included items	2 m IP66 power cable pigtail 1 Omega bracket with quarter-turn fasteners Safety instructions and installation quick guide
<b>Battery</b>	Battery capacity	Configurable up to 24 hours
	Battery capacity (typical use)	10 - 12
	Battery charge time up to 100%	6.5 hours
	Battery charge time up to 75%	3.5 hours
	Battery option	YES
	Battery status	Battery level indicator
	Battery type	Lithium-Ion battery
	Durability	> 1000 cycles
<b>Conforms To</b>	CE - 2014/30/EU: EMC Directive	EN 55015 EN 61547 EN 61000-3-2 EN 61000-3-3 EN 55032 EN 55035
	CE - 2014/35/EU: Low Voltage Directive	EN 60598-1 EN 60598-2-17 EN 62471 EN 60529
	RoHS2 Directive	2011/65/EU

## Ordering information

Qty	Product name	Item number
<input type="checkbox"/>		
	<b>Accessories</b>	<b>Item number</b>
<input type="checkbox"/>	Omega Bracket with 1/4-turn fasteners	83060602
<input type="checkbox"/>	P·1 Ceiling / Wall Mount	83060614
<input type="checkbox"/>	4-way Barndoors for P·1	83061138
<input type="checkbox"/>	8-way Barndoors for P·1	83061139
<input type="checkbox"/>	Filter frame for P·1 - medium angle	83061140
<input type="checkbox"/>	Filter frame for P·1 - wide angle	83061141
<input type="checkbox"/>	Filter frame for P·1 - elliptical horizontal wide angle	83061142
<input type="checkbox"/>	Filter frame for P·1 - elliptical vertical wide angle	83061147
<input type="checkbox"/>	Flight Case for 4 pcs of P·1	82051009
<input type="checkbox"/>	Flight Case for 4 pcs of P·1 incl. charger	82051010
<input type="checkbox"/>	Battery, Nominal: 21.6 V - Nominal: 3350 mAh	83061709
<input type="checkbox"/>	Battery, Nominal: 21.6V - Nominal: 3350 mAh (2 pcs)	83061710
<input type="checkbox"/>	Flight Case charger cable assembly kit (4 pcs)	83062044
<input type="checkbox"/>	Power cable with IP connector	07860275
<input type="checkbox"/>	SGM USB uploader cable	83062011
<input type="checkbox"/>	SGM Vacuum Test Kit	83061136
<input type="checkbox"/>	RDM Addressing Tool	
<input type="checkbox"/>	Spigot adapter for omega bracket	83060639
<input type="checkbox"/>		



Headquarter +45 70 20 74 00

Mail [info@sgmlighting.com](mailto:info@sgmlighting.com)

Website [sgmlight.com](http://sgmlight.com)