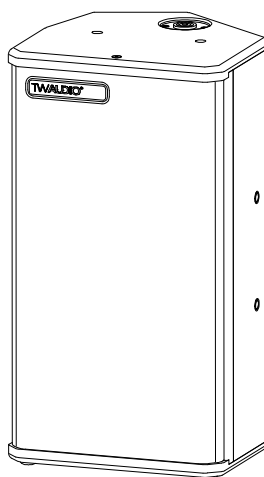


**M8** | **Operation manual**



## Introduction

Thank you for choosing a high-quality product “MADE IN GERMANY” from the brand TWAUDIÖ.

One of the most popular TWAUDIÖ products is the M8, an uncompromisingly developed compact loudspeaker with an 8“ / 1“ configuration. Special mention is to be made of the passive combination of the M8 and the B15, making up our M-SYS-TWO. Also in active driven bi-amped combination with B15, B18 or even B30s. With its 124 dB SPL the M8 remains acoustically superior as a top for a long time.

If you lend your product to another party, inform that party of the safety-related operating procedures and hand over this assembly guide. If you require additional copies of this manual, you can obtain them free of charge from TWAUDIÖ or download them from [www.twaudio.de](http://www.twaudio.de)

### Instructions in this user manual

Strictly adhere to the instructions contained in this operating manual that are marked as follows:



This symbol in combination with the signal word “Warning” identifies a potentially hazardous situation. Failure to comply with this safety instruction can lead to serious injury or even death.



This symbol in combination with the signal word “Warning” identifies a potentially hazardous situation for persons with a pacemaker. Failure to comply with this safety instruction can lead to serious injury or even death.



This symbol in combination with the signal word “Caution” identifies a potentially hazardous situation. Failure to comply with this safety instruction can lead to light or moderate injury.



This symbol in combination with the signal word “Note” identifies a potentially hazardous situation. Failure to comply with this safety instruction can lead to product damage.



This symbol in combination with the signal word “Tip” identifies additional information or notes that will simplify working with TWAUDIÖ products on the basis of practical experience.

## Notes on the products

**Read manual  
before use!**

Before using the device, carefully read the operating manual and keep it with the M8 loudspeaker.

## General information

Operation manual: OM-M8

Version 2.0 en, 02/2022

© by TW AUDiO 2022; all rights reserved.

All information contained in this operating manual was correct to the best of our knowledge at the time of printing.

Quality warranties or assurance of suitability for a certain type of use based on the technical specifications, dimensions and weights are not granted by TW AUDiO.

TW AUDiO also shall not assume liability for any secondary damage (property damage and/or personal injury) nor for the failure to comply with this operating manual!

TW AUDiO reserves the right to update this document based on recent developments.

TW AUDiO INTERNATIONAL GmbH  
Osterholzallee 140-2  
71636 Ludwigsburg (Germany)

Phone : + 49 (0) 71 41-48 89 89 0

Fax: + 49 (0) 71 41-48 89 89 99

E-Mail: [info@twaudio.de](mailto:info@twaudio.de)

WWW: [www.twaudio.de](http://www.twaudio.de)

## Content

1. Safety   Intended use .....	5
2. Overview .....	7
2.1 Components .....	7
2.2 Variants .....	8
3. Technical specifications .....	9
3.1 Data sheet .....	9
3.2 Connection diagram .....	9
4. Commissioning.....	10
4.1 Setup .....	10
4.2 Rotating the HF horn .....	11
4.3 Operation .....	12
4.4 Connecting the cable.....	12
5. Transport and Storage.....	13
6. CE Conformity Declaration.....	14
7. Disposal .....	15

## 1. Safety | Intended use

Please adhere to the following safety instructions to avoid risks when operating loudspeakers.

The M8 loudspeaker was developed for use in professional sound systems. The loudspeaker may only be used by trained and qualified personnel.

Note the operating modes described in this operating manual. Other uses are not permissible.

**Damage caused by improper use is not covered by TW AUDIO.**



Loudspeakers generate an electromagnetic field. Persons with pacemakers are not permitted to remain in the immediate vicinity of loudspeakers as the electromagnetic fields can cause pacemakers to malfunction.



Ensure that the units are in a stable position and are firmly attached. A falling loudspeaker can result in serious personal injury and property damage.

When using and assembling TWAUDIÖ loudspeakers, only use materials specified by TWAUDIÖ. These tasks must be performed by qualified personnel. Adhere to the applicable safety regulations.



When setting up loudspeakers, ensure that they are not exposed to the following ambient conditions:

- Direct sunlight
- Humidity
- Jolting
- Dust



Keep away from the immediate vicinity of loudspeakers that are operated at high sound pressure levels. These loudspeaker systems are capable of endangering your health. Sound levels beginning as low as approximately 90dB SPL can lead to long-term hearing impairment.



Avoid:

- Feedback
- Distorted signals (clipping) and
- Peaks resulting from switching on devices, plugging in devices or unplugging devices during operation.

Such signals can lead to loudspeaker overload and ultimately to loudspeaker failure.



Ensure that the loudspeaker is not exposed to permanent thermal overloads. Thermal overloads may cause a fire and result in serious personal injury and property damage.

Note that TW AUDiO does not provide a warranty for damage that can be attributed to this type of overload and therefore cannot be held liable for any secondary damage.



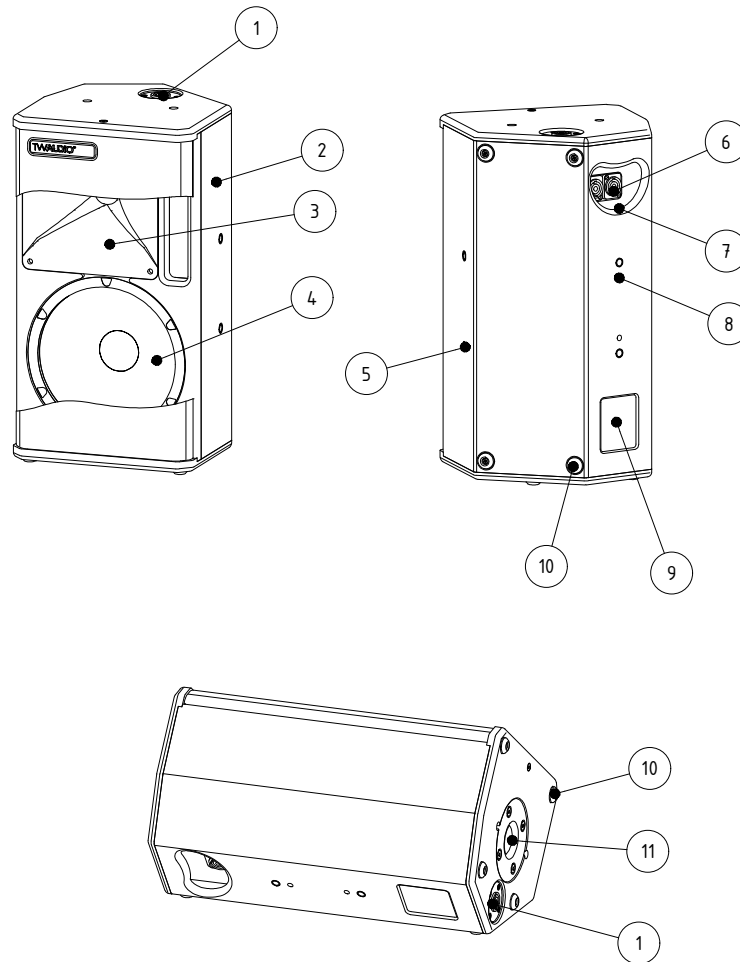
A permanent magnetic field is present in the immediate vicinity of loudspeakers. Ensure that objects which react sensitively to magnetic fields are not located in the immediate vicinity of the loudspeaker. In particular, this applies to magnetic storage media, magnetic stripe cards such as debit cards and CRT displays. A distance of approximately one meter is sufficient to avoid damage.



Check loudspeakers and accessory parts regularly for visible wear. This is essential to ensure continuing fault-free operation. Worn parts should be replaced immediately. Spare parts are available from TWAUDI.O.

## 2. Overview

### 2.1 Components

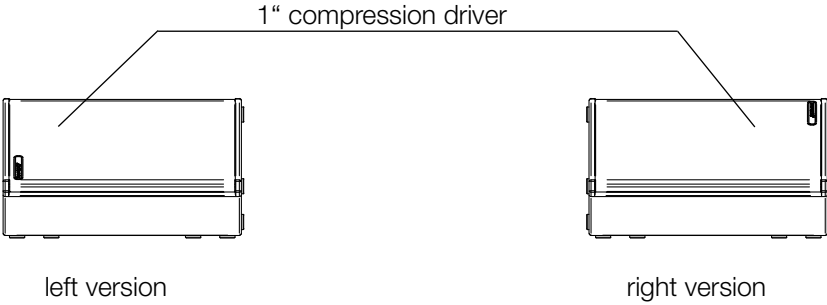


**Figure 2.1 - Overview**

1. Connection panel with one SpeakON® connector each at the top and bottom
2. 12 mm multiplex enclosure - Warnex surface finish
3. Rotable horn with 1" compression driver
4. 8" cone driver
5. Threaded socket (10 mm) for attaching accessory parts (8 pieces)
6. Connection panel with two SpeakON® connectors in handle recess
7. Ergonomic carrying handle (rear)
8. Threaded socket (6 mm) for attaching accessory parts (2 pieces)
9. Type label
10. Rubber feet (4 pieces)
11. Cabinet flange for attaching to speaker stand

**2.2 Variants**

The M8 loudspeaker is available in right and left variants. These versions differ in the side on which the slanted wedge is located on the enclosure.



**Figure 2.2 - Left and right versions**

### 3. Technical specifications

#### 3.1 Data sheet

Drivers	1x 8" LF / 1x 1" HF
Frequency response	70 - 20000Hz
Power handling (program/Peak)	400 / 800W
Impedance	8 Ω
Coverage angles (h x v)	90° x 60°
Max. SPL / 1m	124 dB
Dimensions (h x w x d)	445 x 240 x 240mm [17,52 x 9,45x 9,45in]
Weight	10kg [22.4lbs]
Surface	Warnex textured paint

#### 3.2 Connection diagram

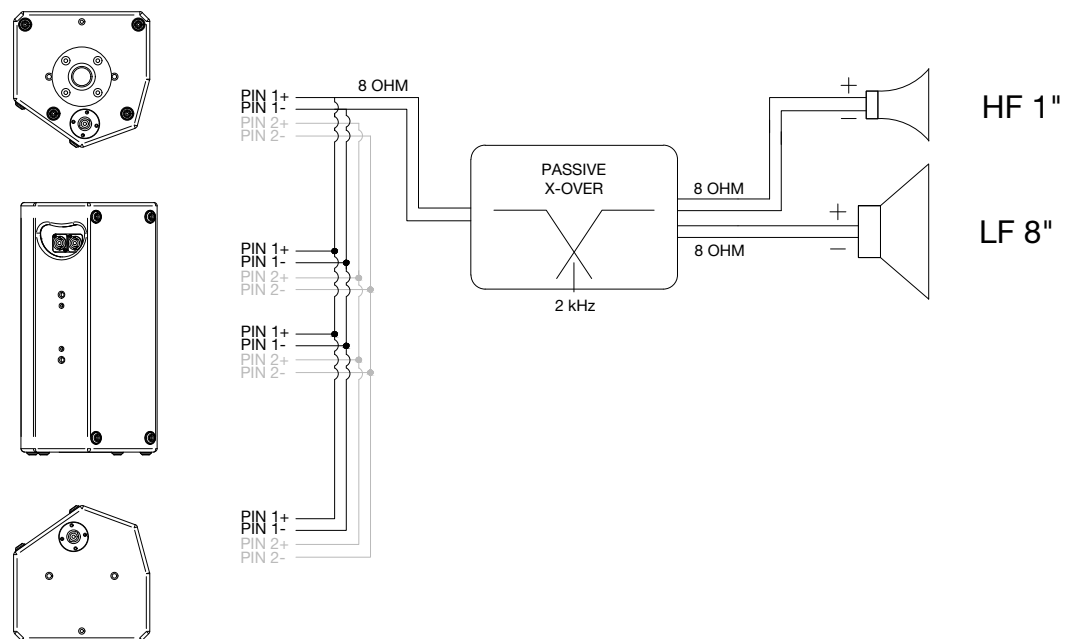


Figure 3.2 - Connection diagram

## 4. Commissioning

### 4.1 Setup

The M8 loudspeaker is designed for standing, vertical and horizontal operation. TWAUDIÖ provides a wide range of accessories to securely attach the loudspeaker.



Make sure that all system structures are located on a firm, level surface and that the surface can bear the total weight!



Make sure the speakers are securely fastened to prevent personal injury and property damage.



TWAUDIÖ recommends using only the accessories specified by TWAUDIÖ for securing and mounting loudspeakers.

## 4.2 Rotating the HF horn

The horn of the M8 loudspeaker is positioned such that the horizontal coverage is 90° and the vertical coverage is 60°. In some situations, it may be advantageous to switch the coverage of the high-frequency range. To do this, you can rotate the horn of the M8 loudspeaker. Proceed as follows.

1. Place the M8 loudspeaker with the wedge inclined toward you with the grill facing up. Ensure that the working surface is clean with a non-slip finish.
2. To remove the front grill of the loudspeaker, use a 3 mm hex key. Remove the four screws on the top and bottom of the loudspeaker enclosure (two on each side).
3. Release the four screws of the horn using a 5 mm hex key.
4. Pull the horn upward out of the loudspeaker enclosure.
5. Check that the seal between the enclosure and horn is properly seated.
6. Rotate the horn carefully by 90° and reinsert the horn and driver back into the recess. Screw it onto the enclosure using medium-strength thread locker.
7. Screw the front grill back on hand-tight.

### 4.3 Operation

TWAUDIÖ recommends operating the M8 loudspeaker on a DSP controller. For this purpose, only presets developed by TWAUDIÖ are recommended. The TWAUDIÖ system racks are ideally suited for this purpose.



**NOTE**

Before connecting the loudspeaker to the amplifier, ensure that the right preset has been loaded.

Using a wrong, out dated or a preset not provided by TWAUDIÖ can lead to destruction of the speaker.



**NOTE**

Make sure that the amplifier's specifications meet the requirements. Using an amplifier that doesn't meet the specifications can destroy the loudspeaker.

Please note the technical data in section 3.1 on page 9.

### 4.4 Connecting the cable

To create a cable connection with an amplifier rack from TWAUDIÖ, proceed as follows.



**NOTE**

Ensure that the cable cross sectional area is sufficient (at least 1.5 mm<sup>2</sup>) to avoid power losses. TWAUDIÖ recommends using the loudspeaker cables available from TWAUDIÖ.

When connecting the cables to the loudspeaker, ensure that polarity (+/-) and pin assignment (1/2) are correct. Incorrect connection can lead to a significant change in the loudspeaker's sound characteristics and may damage the driver.

The pin connections of the M8 loudspeaker can be found in section 3.2 ("Connection diagram") on page 9.

The internal wiring of the M8 loudspeaker allows for parallel connection of multiple loudspeaker units.

Please note that parallel connections will decrease the total impedance of your loudspeaker configuration.

The total impedance and the resulting power of the speaker configuration must match the output power of the amplifier.

## 5. Transport and Storage



### NOTE

To enable a single person to transport four M8 loudspeakers, TWAUDIÖ recommends using the CaseM8.

When transporting and storing the unit, it is important to ensure that the surface and front grill of the loudspeaker are not damaged. Moisture can penetrate through exposed wood surfaces and cause the wood to swell. A bent or broken front grill will no longer adequately protect the sensitive speaker membranes.

In addition, appreciable dust deposits may considerably impair the functionality of a loudspeaker membrane. For this reason, the loudspeakers should be transported and stored in a safe, careful, dry and largely dust-free manner.

The following accessory parts for transport and storage are available from TWAUDIÖ:

- BagM8 (carrying bag for two M8)
- CaseM8 (flightcase for four M8)

The original packaging is unsuitable as permanent storage and transport packaging.

## 6. CE Conformity Declaration

Copy and translation of the original CE Conformity Declaration:



We hereby declare that the below-referenced components by virtue of their design and construction, and in the configuration placed on the market by us, satisfy the safety and health requirements of the applicable EC directives. This declaration becomes invalid in case of modifications that have not been approved by us.

### **This declaration applies to the following components**

- M8 L
- M8 R

as well as all model variants based on these, provided that they correspond to the original factory models and have not been technically modified in any way.

### **Applicable directives:**

- 2001/95/EG
- 2011/65/EU

### **Applicable national standards and technical specifications:**

- DIN EN 18800
- DIN EN ISO 12100
- DGUV Vorschrift 17 und 18
- EN 50581: 2013-02

Berlin, Germany, January 1st, 2021

A handwritten signature in black ink, appearing to read 'Wüstner'.

Bernhard Wüstner

## 7. Disposal

It is prohibited to dispose of used electrical equipment with household refuse.



All TW AUDiO INTERNATIONAL GmbH products are so-called B2B-products. This means that they are

symbol shown here may only be disposed of by TW AUDiO.

The loudspeaker owner is legally responsible for proper disposal of used devices that do not bear this symbol. This pertains to all products delivered prior to March 29, 2010. Nevertheless, TW AUDiO will also be happy to assist you in this case.

If you have any question regarding the disposal of used devices, please contact us under the following telephone number:

+49 (0) 71 41 - 48 89 89 0

Thus, TW AUDiO is in strict compliance with the Waste Electrical and Electronic Equipment Directive (2012/19/EU) for the protection of our environment.

TW AUDiO is registered under the following WEEE-reg.-no. with the German National Register EAR as a B2B-manufacturer and distributor of electrical devices:

**DE93295191**

In countries outside of the European Union, comply with local regulations.

TW AUDiO INTERNATIONAL GmbH  
Osterholzallee 140-2  
71636 Ludwigsburg (Germany)

Phone: + 49 (0) 71 41-48 89 89 0

Fax: + 49 (0) 71 41-48 89 89 99

E-Mail: [info@twaudio.de](mailto:info@twaudio.de)

WWW: [www.twaudio.de](http://www.twaudio.de)